

M520



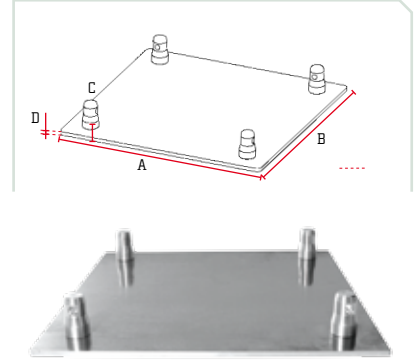
LIFTING EYE NUT M12

Series	SWL 340 kg • 749.56 lbs
M290	Fixing bolt must be ordered separately if required
M520	required



LIFTING EYE NUT M16

Series	SWL 700 kg • 1543.2 lbs
M400	Fixing bolt must be ordered separately if required
M520	required
M950	



PBPQC BASE PLATE QUATRO WITH HALF CONNECTORS

Series	A	B	C	D	
M520	600	600	30,5	10	mm
	23.4	23.4	1.19	0.39	inches



PO PIN O

Series	
M400	
M520	
M950	



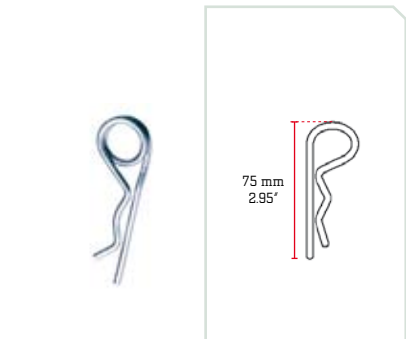
PO M12 PIN O WITH THREAD M12

Series	supplied with washer and nylock nut
M400	
M520	
M950	



CC O M16 HALF CONICAL CONNECTOR O WITH THREAD M16

Series	screw fixing not included, please order separately if required
M400	
M520	
M950	



SRP O SAFETY R CLIP O

Series	
M400	
M520	
M950	



CON47 FEMALE FITTING FOR MULTICUBE QCO1, RCO1, QCP1, RCT1

Series	supplied with washer and M16x40 bolt
M400	
M520	
M950	



CC O CONICAL CONNECTOR O

Series	
M400	
M520	
M950	