



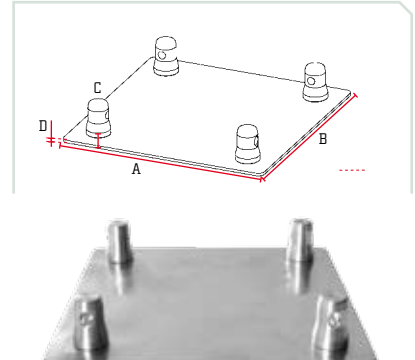
↘ **LIFTING EYE NUT M12**

| | |
|--------|--|
| Series | SWL 340 kg • 749.56 lbs |
| M290 | Fixing bolt must be ordered separately if required |
| M520 | required |



↘ **LIFTING EYE NUT M16**

| | |
|--------|--|
| Series | SWL 700 kg • 1543.2 lbs |
| M400 | Fixing bolt must be ordered separately if required |
| M520 | required |
| M950 | |



↘ **OBPQC** BASE PLATE QUATRO WITH HALF CONNECTORS

| | | | | | |
|--------|------|------|------|-------|--------|
| Series | A | B | C | D | |
| M400 | 400 | 400 | 15 | 5 | mm |
| | 15.6 | 15.6 | 0.59 | 0.195 | inches |



↘ **PO** PIN O

| | |
|--------|--|
| Series | |
| M400 | |
| M520 | |
| M950 | |



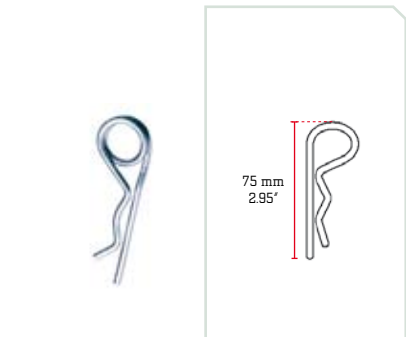
↘ **PO M12** PIN O WITH THREAD M12

| | |
|--------|-------------------------------------|
| Series | supplied with washer and nylock nut |
| M400 | |
| M520 | |
| M950 | |



↘ **CC O M16** HALF CONICAL CONNECTOR O WITH THREAD M16

| | |
|--------|--|
| Series | screw fixing not included, please order separately if required |
| M400 | |
| M520 | |
| M950 | |



↘ **SRP O** SAFETY R CLIP O

| | |
|--------|--|
| Series | |
| M400 | |
| M520 | |
| M950 | |



↘ **CON47** FEMALE FITTING FOR MULTICUBE QCO1, RCO1, QCP1, RCT1

| | |
|--------|--------------------------------------|
| Series | supplied with washer and M16x40 bolt |
| M400 | |
| M520 | |
| M950 | |



↘ **CC O** CONICAL CONNECTOR O

| | |
|--------|--|
| Series | |
| M400 | |
| M520 | |
| M950 | |