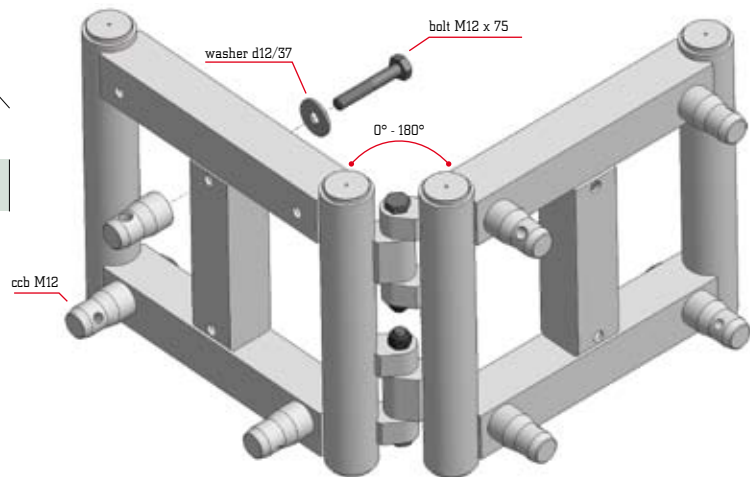


Bookcorners fo M222-M520

QBB1

BOOKCORNER FOR
M290 SERIES

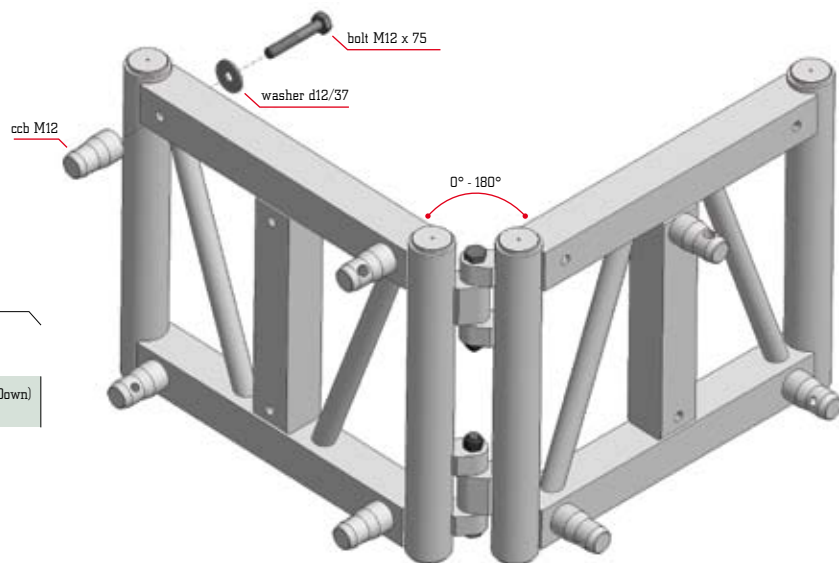
can be configured for use with M290 Quatro & Trio (apex Up/Down)
formats



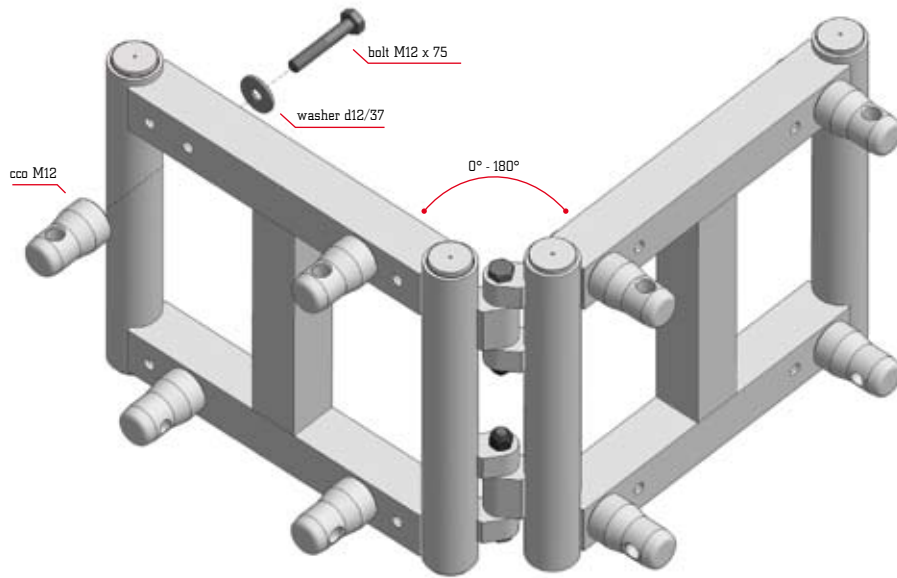
QBK1

BOOKCORNER FOR
M390 SERIES

can be configured for use with M390 Quatro & Trio (Apex Up / Down)
formats



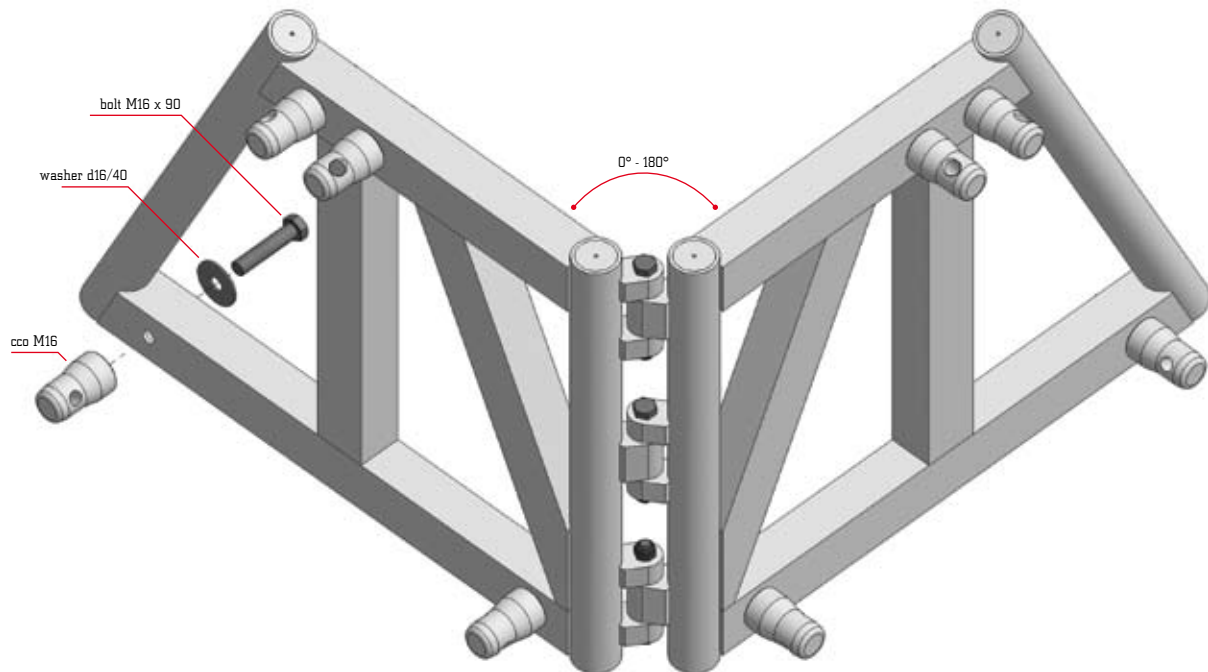
Bookcorners for M222-M520



QB01

BOOKCORNER FOR
M400 SERIES

can be configured for use with M400 Quatro and Rect series



FBP1

BOOKCORNER FOR
M520 FOLD SERIES